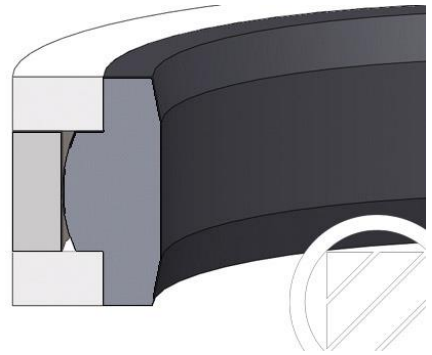


KK 71



DESCRIPTION

Product group: piston seal
Design: K compact seal
Profile no.: 71
Specification: Z suitable for two-sided pressure load
Model: STA outer back-up ring
Seal material: PTFE 00 3001
Energising element-material: NBR 80 3001
Back-up rings: PA

OPERATIONAL APPLICATION LIMITS

Pressure (MPa): ≤ 40
 Temperature (°C): -30 to $+100$
 Running speed (m/s): ≤ 1.5

MEDIA

- Hydraulic oils acc. to DIN 51524 Part 1 – 3
- Lubricating oils
- Mineral oil based lubricating greases
- Highly non-flammable hydraulic fluids HFA, HFB, HFC acc. to VDMA 24317

FUNCTION

The KK 71 compact seal is a double-acting seal, combined with back-up rings made of PA. The PTFE seal body has a very low friction coefficient which ensures smooth running. The integrated back-up rings help to prevent gap extrusion.

INSTALLATION

This seal can generally be installed with the use of suitable installation tools in cut grooves. Subsequent calibration is necessary.

REMARKS

The KK 71 is a very space-saving seal that requires the provision of suitable guide elements. The customer also has the choice of a seal body made of Polyurethane. The KK 71 is used particularly in agricultural machines, mobile hydraulic platforms, ground conveyors and standard cylinders.

