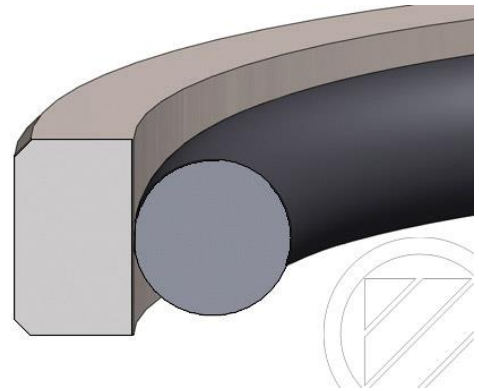


# KPOR 30



## DESCRIPTION

**Product group:** piston seal  
**Design:** POR PTFE seal with an o-ring energising element  
**Profile no.:** 30  
**Specification:** Z seal with an o-ring energising element  
**Seal material:** PTFE 00 9807  
**O-ring material:** NBR 70 0100

## OPERATIONAL APPLICATION LIMITS

Pressure (MPa):  $\leq 40$   
 Temperature (°C):  $-30$  to  $+100$   
 Running speed (m/s):  $\leq 15$

## MEDIA

- Hydraulic oils acc. to DIN 51524 Part 1 – 3
- Lubricating oils
- Mineral oil based lubricating greases
- Highly non-flammable hydraulic fluids HFA, HFB, HFC acc. to VDMA 24317

## FUNCTION

The KPOR seals consist of a PTFE sealing element which is energised by an o-ring. This results in an exceptionally good sealing function under high loads and good static sealing performance. The KPOR 30 design is a double acting piston seal.

## INSTALLATION

For small diameters, axially accessible installation housing is required. For larger pistons, the seals can be installed in closed installation housings. Subsequent calibration is necessary.

## REMARKS

The standard for this design is a PTFE-Bronze/NBR 70 combination. Depending on the area of application, other materials such as PTFE-Glass, PTFE-Graphite and PTFE-Carbon for the seal element and EPDM, FKM, VMQ etc. for the energising element are available. Sufficient guiding of the piston using suitable guide elements is necessary.

