

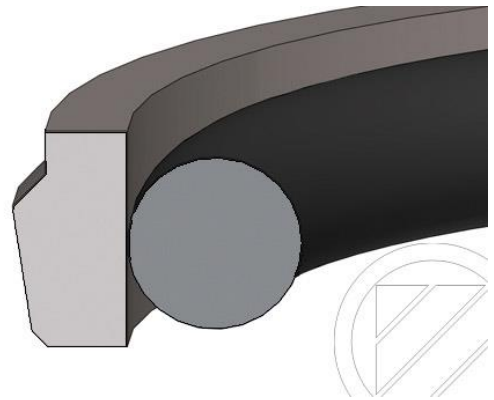


DICHTOMATIK

Any seal. Any time.

Online Product information

# KPOR 31



## DESCRIPTION

**Product group:** piston seal

**Design:** POR PTFE seal with an o-ring energising element

**Profile no.:** 31

**Specification:** E suitable for one-sided pressure load

**Seal material:** PTFE 00 9807

**O-ring material:** NBR 70 0100

## OPERATIONAL APPLICATION LIMITS

Pressure (MPa):  $\leq 40$

Temperature (°C):  $-30$  to  $+100$

Running speed (m/s):  $\leq 15$

## MEDIA

- Hydraulic oils acc. to DIN 51524 Part 1 – 3
- Lubricating oils
- Mineral oil based lubricating greases
- Highly non-flammable hydraulic fluids HFA, HFB, HFC acc. to VDMA 24317

## FUNCTION

The KPOR seals consist of a PTFE sealing element which is energised by an o-ring. This results in an exceptionally good sealing function under high loads and good static sealing performance. The KPOR 31 is a single-acting piston seal.

## INSTALLATION

For small diameters, axially accessible installation housing is required. For larger pistons, the seals can be installed in closed installation housings. Subsequent calibration is necessary.

## REMARKS

The standard for this design is a PTFE-Bronze/NBR 70 combination. Depending on the area of application, other materials such as PTFE-Glass, PTFE-Graphite and PTFE-Carbon for the seal element and EPDM, FKM, VMQ etc. for the energising element are available. Sufficient guiding of the piston using suitable guide elements is necessary.

